

A

B

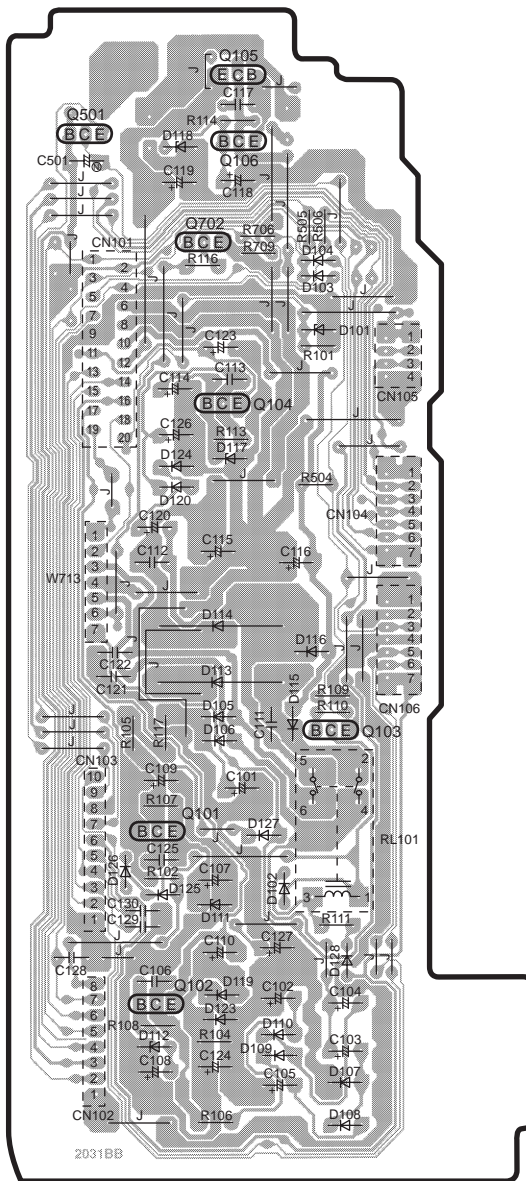
C

D

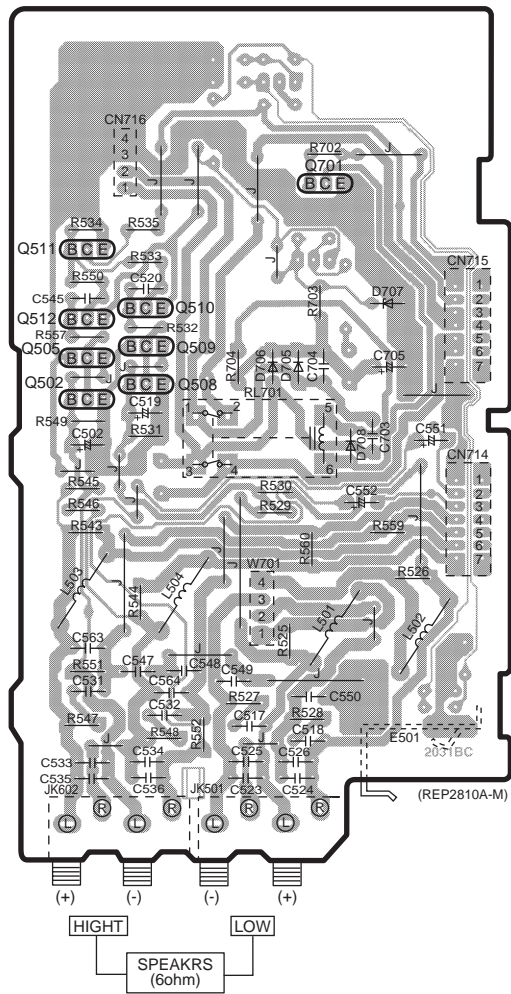
E

F

A POWER SUPPLY P.C.B.



G SPEAKER TERMINAL P.C.B.

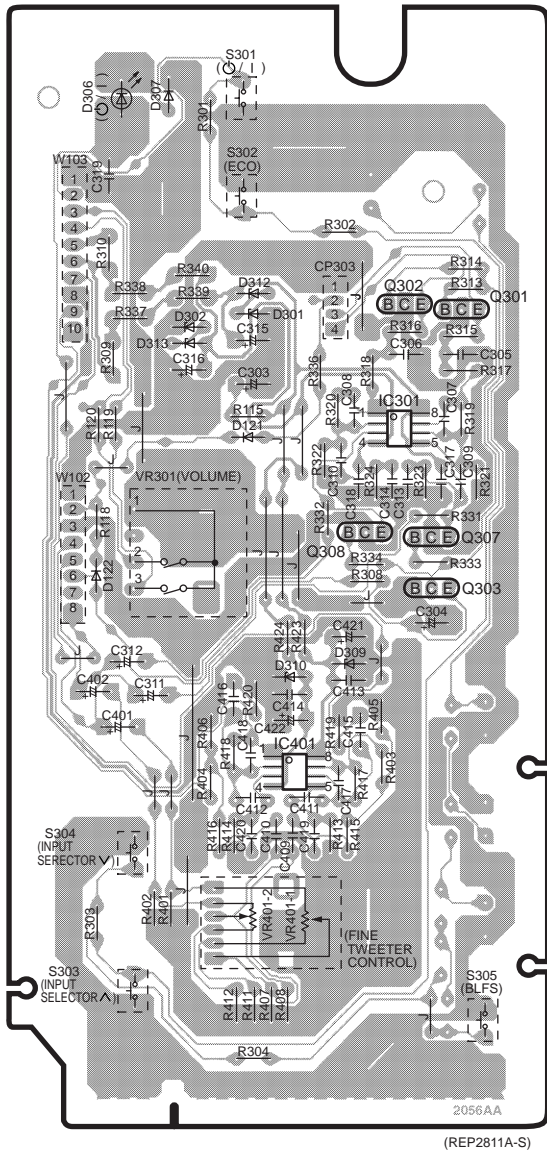


ELECTRICAL PARTS LOCATION

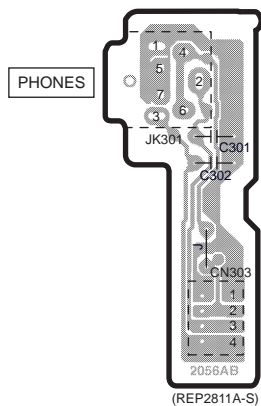
(REP2810A-M)

Ref. No.	Lo. No.	Ref. No.	Lo. No.	Ref. No.	Lo. No.	Ref. No.	Lo. No.	Ref. No.	Lo. No.	Ref. No.	Lo. No.	Ref. No.	Lo. No.	Ref. No.	Lo. No.	Ref. No.	Lo. No.
A POWER SUPPLY P.C.B.																	
Q101	5B	D104	2C	D115	4C	D128	5C	R104	6C	R117	4B	C106	5B	C117	1C	C128	5B
Q102	5B	D105	4C	D116	4C	RL101	5C	R105	4B	R504	3C	C107	5C	C118	2C	C129	5B
Q103	4C	D106	4C	D117	3C	CN101	2B	R106	6C	R505	2C	C108	6B	C119	2B	C130	5B
Q104	3C	D107	6C	D118	2B	CN102	6B	R107	5B	R506	2C	C109	4B	C120	3B	C501	2B
Q105	1C	D108	6C	D119	5C	CN103	5B	R108	6B	R706	2C	C110	5C	C121	4B		
Q106	2B	D109	6C	D120	3B	CN104	3C	R109	4C	R709	2C	C111	4C	C122	4B		
Q501	2B	D110	6C	D123	6C	CN105	3C	R110	4C	C101	4C	C112	3B	C123	2C		
Q702	2C	D111	5C	D124	3B	CN106	4C	R111	5C	C102	5C	C113	3C	C124	6C		
D101	2C	D112	6B	D125	5B	W713	3B	R113	3C	C103	6C	C114	3B	C125	5B		
D102	5C	D113	4C	D126	5B	R101	2C	R114	1C	C104	5C	C115	3C	C126	3B		
D103	2C	D114	4C	D127	5C	R102	5B	R116	2C	C105	6C	C116	3C	C127	5C		
G SPEAKER TERMINAL P.C.B.																	
Q502	3D	D706	3F	CN715	3F	R528	4E	R544	4E	R557	4D	C519	3E	C534	5E	C552	3F
Q505	3D	D707	2E	CN716	2E	R529	4E	R545	3D	R559	3F	C520	2E	C535	5D	C563	4D
Q508	3E	D708	3F	W701	4E	R530	3E	R546	3D	R560	2E	C523	5E	C536	5E	C564	4E
Q509	3E	L501	4F	JK501	5E	R531	3E	R547	4D	R702	4E	C524	5E	C545	2D	C703	3F
Q510	3E	L502	4D	JK602	5D	R532	3E	R548	4E	R703	2E	C525	5E	C547	4E	C704	3F
Q511	2D	L503	4F	E501	4F	R533	2E	R549	3D	R704	3E	C526	5E	C548	4E	C705	3F
Q512	3E	L504	4E	R525	4E	R534	2D	R550	2D	C502	3D	C531	4D	C549	4E		
Q701	2F	RL701	3E	R526	4F	R535	2E	R551	4D	C517	4E	C532	4E	C550	4E		
D705	3E	CN714	3F	R527	4E	R543	4D	R552	4E	C518	4E	C533	5D	C551	3F		

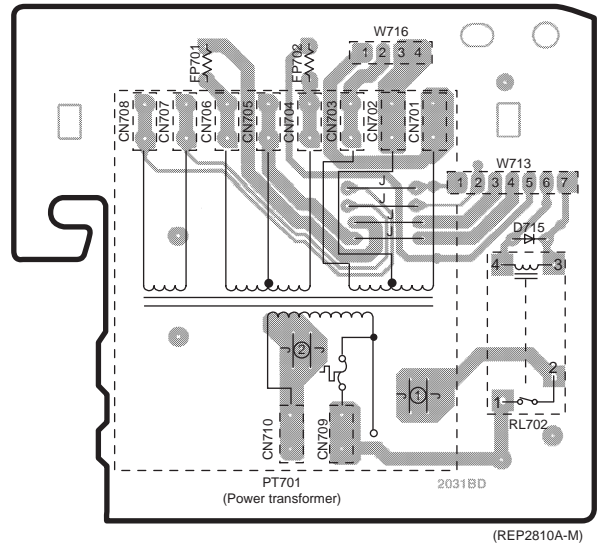
B OPERATION P.C.B.



C HP. JACK P.C.B.



E POWER TRANSFORMER P.C.B.



ELECTRICAL PARTS LOCATION

Ref. No.	Lo. No.	Ref. No.	Lo. No.	Ref. No.	Lo. No.	Ref. No.	Lo. No.
B OPERATION P.C.B.							
IC301	3C	R118	3A	R339	2B	C310	3B
IC401	4B	R119	3A	R340	2B	C311	4B
Q301	2C	R120	3A	R401	5B	C312	4A
Q302	2C	R301	1B	R402	5B	C313	3C
Q303	4C	R302	2B	R403	4C	C314	3C
Q307	3C	R303	5A	R404	4B	C315	3B
Q308	3C	R304	6B	R405	4C	C316	3B
D121	3B	R308	4C	R406	4B	C317	3C
D122	4A	R309	3A	R407	6B	C318	3B
D301	2B	R310	2A	R408	6B	C319	2A
D302	2B	R313	2C	R411	6B	C401	4A
D306	1A	R314	2C	R412	6B	C402	4A
D307	1B	R315	2C	R413	5B	C409	5B
D309	4B	R316	2C	R414	5B	C410	5B
D310	4B	R317	3C	R415	5B	C411	5B
D312	2B	R318	3C	R416	5B	C412	5B
D313	3B	R319	3C	R417	5B	C413	4B
VR301	3B	R320	3B	R418	4B	C414	4B
VR401-1	5B	R321	3C	R419	4B	C415	4C
VR401-2	5B	R322	3B	R420	4B	C416	4B
S301	1B	R323	3C	R423	4B	C417	4B
S302	2B	R324	3C	R424	4B	C418	4B
S303	5A	R331	3C	C303	3B	C419	5B
S304	5A	R332	3B	C304	4C	C420	5B
S305	6C	R333	3C	C305	3C	C421	4B
CP303	2B	R334	3C	C306	3C	C422	4B
W102	3A	R336	3B	C307	3C		
W103	2A	R337	2A	C308	3B		
R115	3B	R338	2A	C309	3C		
C HEADPHONES JACK P.C.B.							
CN303	8B	JK301	7B	C301	7B	C302	7B
E POWER TRANSFORMER							
D715	2F	CN701	2E	CN705	2E	CN709	3E
FP701	2D	CN702	2E	CN706	2E	CN710	3E
FP702	2E	CN703	2E	CN707	2D	W713	2F
RL702	3F	CN704	2E	CN708	2D	W716	2E

A

B

C

D

E

F

1

F MAIN P.C.B.

2

3

4

5

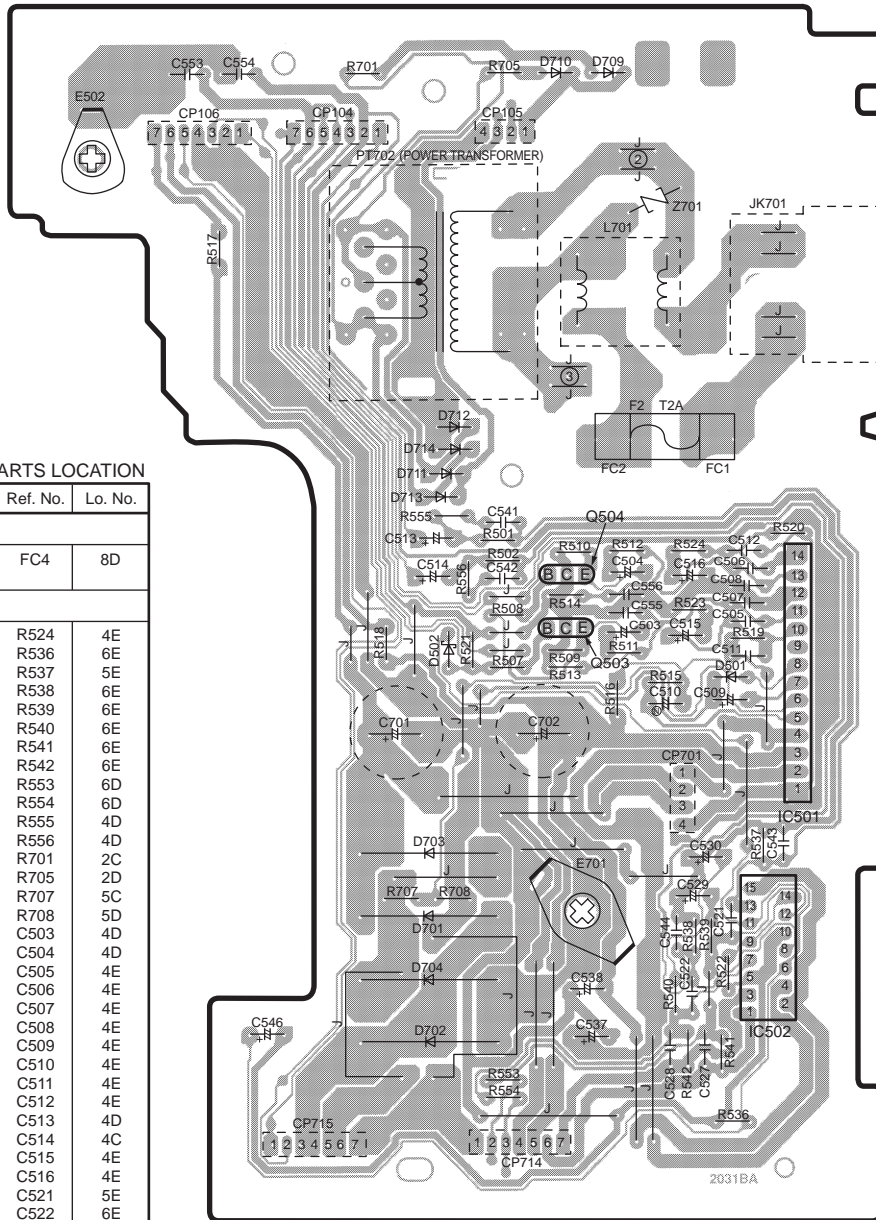
6

7

8

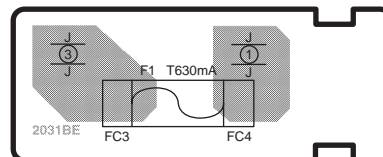
ELECTRICAL PARTS LOCATION

Ref. No.	Lo. No.	Ref. No.	Lo. No.
D FUSE P.C.B.			
F1	8D	FC4	8D
FC3	8D		
F MAIN P.C.B.			
IC501	4E	R524	4E
IC502	6E	R536	6E
Q503	4D	R537	5E
Q504	4D	R538	6E
D501	4E	R539	6E
D502	4D	R540	6E
D701	5C	R541	6E
D702	6C	R542	6E
D703	5C	R553	6D
D704	6C	R554	6D
D709	2D	R555	4D
D710	2D	R556	4D
D711	3D	R701	2C
D712	3D	R705	2D
D713	4D	R707	5C
D714	3D	R708	5D
L701	3D	C503	4D
Z701	2E	C504	4D
F2	3E	C505	4E
E502	2B	C506	4E
E701	5D	C507	4E
CP104	2C	C508	4E
CP105	2D	C509	4E
CP106	2B	C510	4E
CP701	5E	C511	4E
CP714	6D	C512	4E
CP715	6C	C513	4D
JK701	2E	C514	4C
PT702	2C	C515	4E
FC1	3E	C516	4E
FC2	3D	C521	5E
R501	4D	C522	6E
R502	4D	C527	6E
R507	4D	C528	6E
R508	4D	C529	5E
R509	4D	C530	5E
R510	4D	C537	6D
R511	4D	C538	6D
R512	4D	C541	4D
R513	4D	C542	4D
R514	4D	C543	5E
R515	4E	C544	6E
R516	4D	C546	6C
R517	2C	C553	2B
R518	4C	C554	2C
R519	4E	C555	4D
R520	4E	C556	4D
R521	4D	C701	5C
R522	6E	C702	5D
R523	4E		



(REP2810A-M)

D FUSE P.C.B.



(REP2810A-M)

AC IN

(230V.....[E,EG,EP]
230-240V....[EB]
50Hz)